

East Wenatchee Water District

WATER SYSTEM STANDARD DETAIL
FIRE HYDRANT

DRAWING NO. W-02 SHEET NO. 9

File: EMDTW15 Revised: FEB 18, 2011 Printed: FEB 18, 2011

East Wenatchee Water District

WATER SYSTEM STANDARD DETAIL
HYDRANT LOCATIONS

DRAWING NO. W-23 SHEET NO. 10

File: EMDTW6 Revised: JUN 14, 2004 Printed: JUL 18, 2008

East Wenatchee Water District

WATER SYSTEM STANDARD DETAIL
PERMANENT BLOW-OFF HYDRANT

DRAWING NO. W-08 SHEET NO. 11

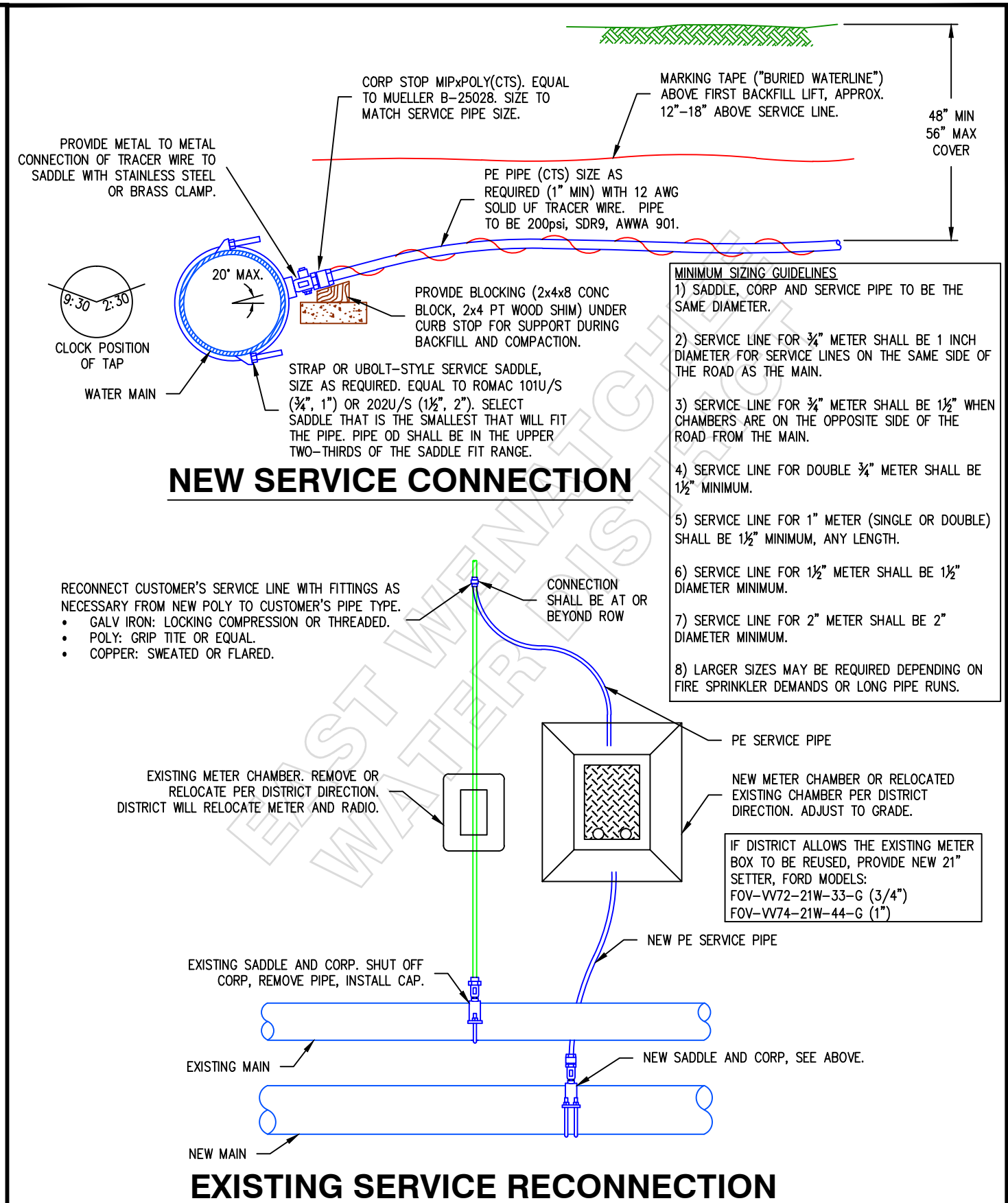
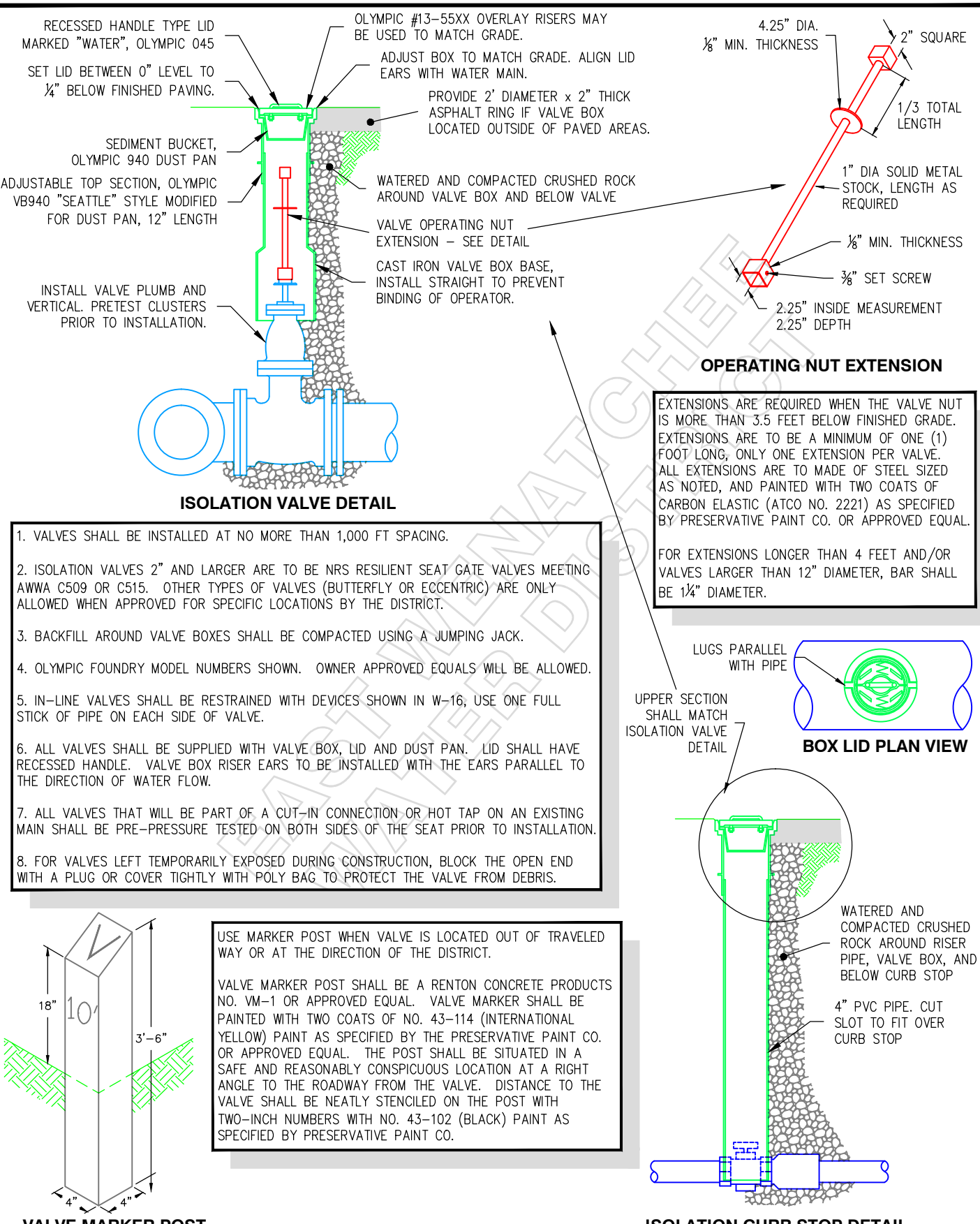
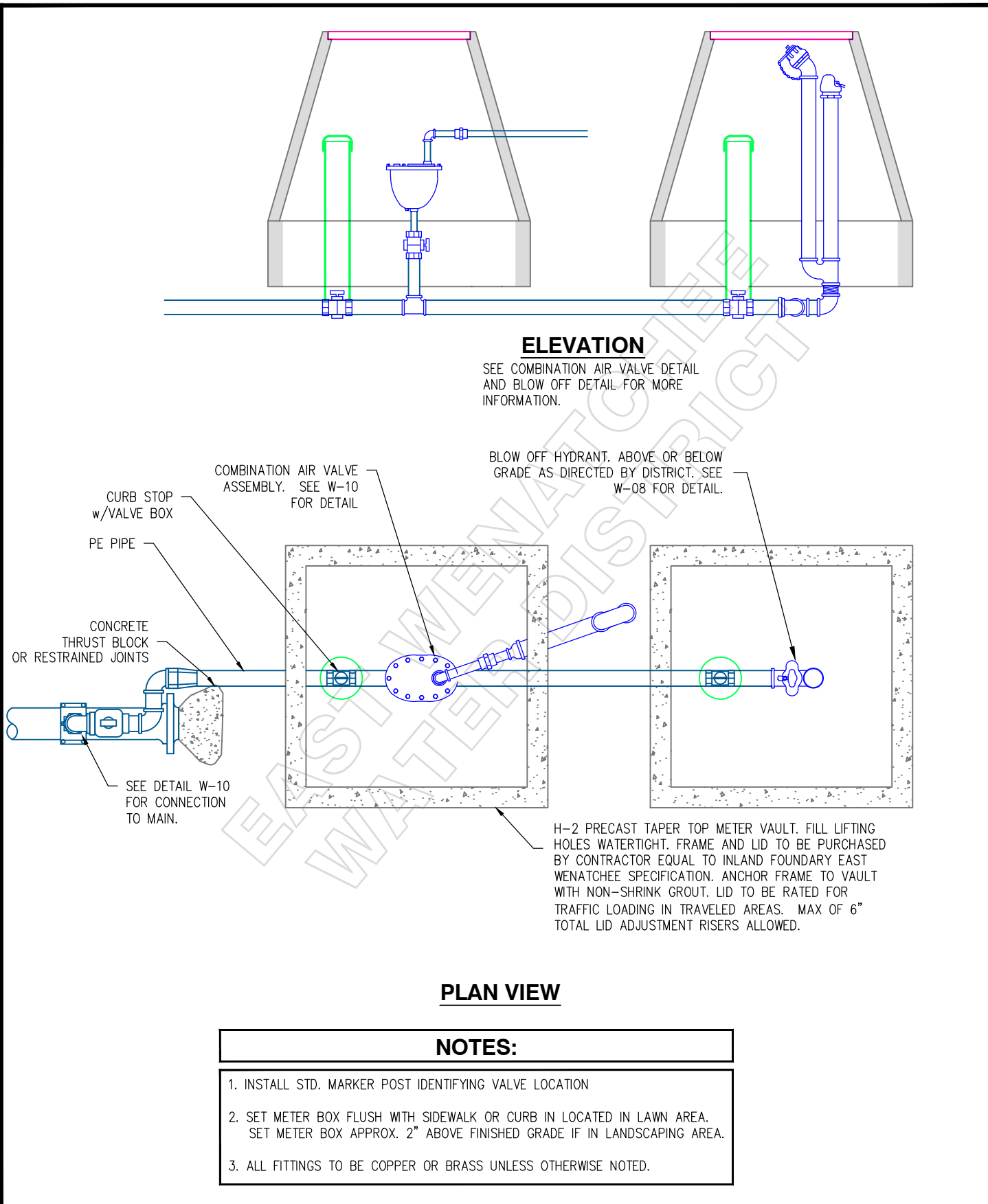
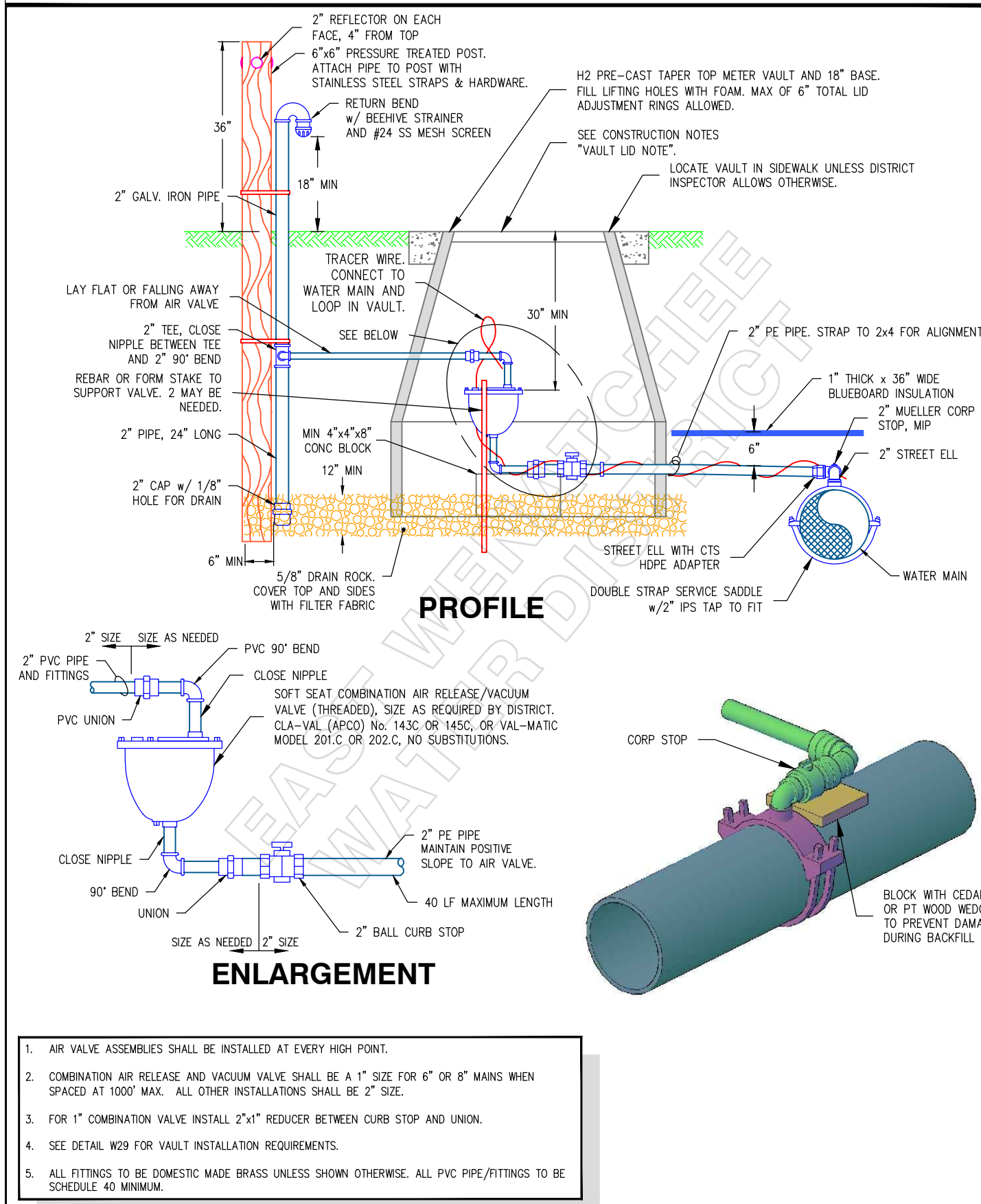
File: EMDTW7 Revised: JUN 2, 2015 Printed: JUN 2, 2015

East Wenatchee Water District

WATER SYSTEM STANDARD DETAIL
CONSTRUCTION BLOW-OFF ASSEMBLY

DRAWING NO. W-09 SHEET NO. 12

File: EMDTW11 Revised: MAR 19, 2012 Printed: MAR 19, 2012



East Wenatchee Water District

WATER SYSTEM STANDARD DETAIL
COMBINATION AIR VALVE ASSEMBLY

DRAWING NO. W-10 SHEET NO. 13

File: EMDTW2 Revised: JAN 25, 2017 Printed: JAN 25, 2017

East Wenatchee Water District

WATER SYSTEM STANDARD DETAIL
COMBINATION AIR VALVE & BLOW-OFF ASSEMBLIES

DRAWING NO. W-11 SHEET NO. 14

File: EMDTW7 Revised: JUL 18, 2008 Printed: JUL 18, 2008

East Wenatchee Water District

WATER SYSTEM STANDARD DETAIL
ISOLATION VALVE INSTALLATION DETAILS

DRAWING NO. W-12 SHEET NO. 15

File: EMDTW9 Revised: JAN 25, 2017 Printed: JAN 25, 2017

East Wenatchee Water District

WATER SYSTEM STANDARD DETAIL
SERVICE CONNECTIONS

DRAWING NO. W-14 SHEET NO. 16

File: EMDTW14 Revised: JAN 25, 2017 Printed: JAN 25, 2017

